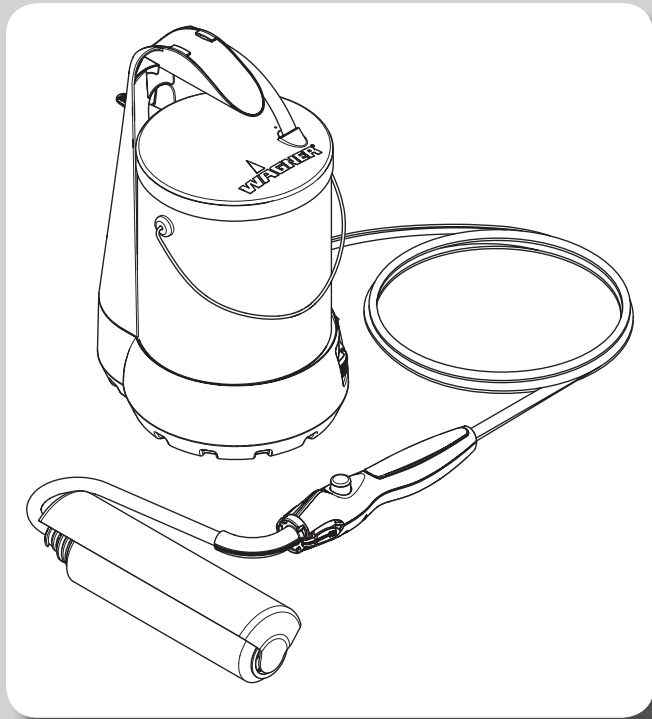


SMART Power Roller™



Owner's Manual (page 2)
Read this manual for complete instructions



Manuel de l'utilisateur (page 12)
Lire ce manuel pour obtenir des directives complètes

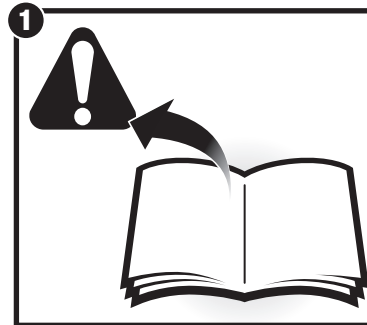
Manual del usuario (página 22)
Lea este manual para obtener las instrucciones completas

WAGNER®

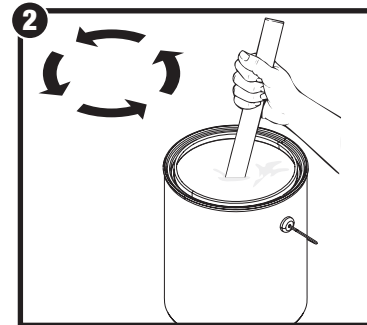
1112 • Form No. 0530803D

Quick Start Guide • Guide de démarrage rapide • Guía rápida para comenzar

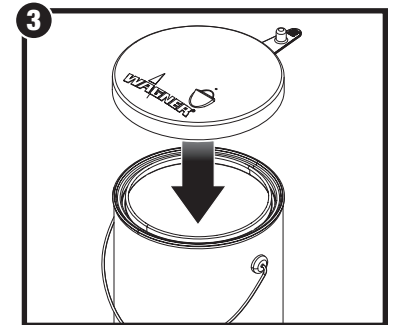
Setup • Montage • Disposición



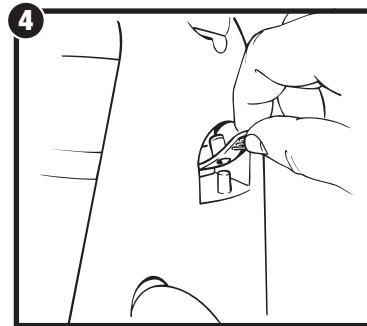
Read all warnings
Lisez tous les avertissements
Lea todas las advertencias



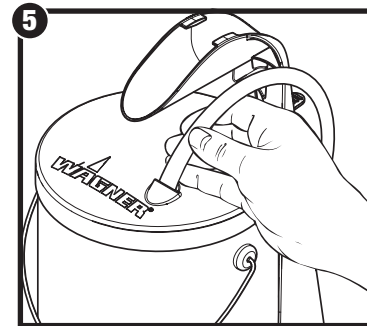
Prepare material
Préparez la peinture
Prepare el material



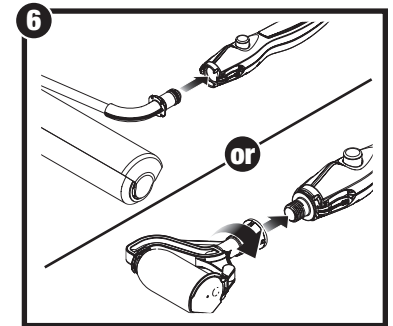
Attach paint can lid
Installer le couvercle de peinture
Monte la tapa de pintura



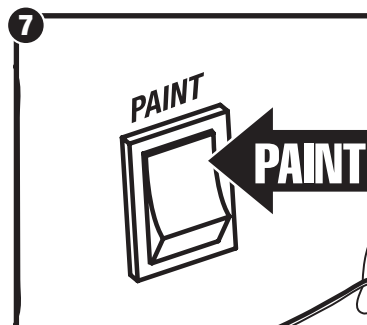
Secure the paint can
Fixer le contenant
Seguro de recipiente



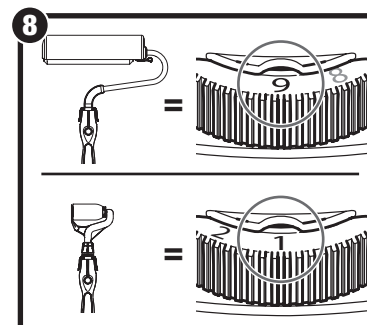
Insert the suction tube
Insérer le tube d'aspiration
Inserte el tubo de succión



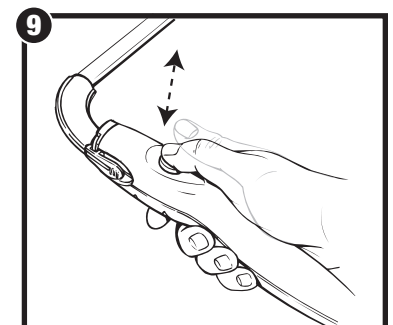
Attach roller arm
Fixer le bras du rouleau
Acople el brazo del rodillo



Plug in, switch to "PAINT"
Branchez, mette l'interrupteur à la position "PAINT"
Conecte, cambie el interruptor a la posición "PAINT"



Adjust speed control
Réglez le contrôle de vitesse
Ajuste el control de velocidad



Press and release to start
Appuyer et lâcher pour démarrer
Presione y suelte para arrancar

Español

Français

English

Important Safety Information



Read all safety information before operating the equipment. Save these instructions



This symbol indicates a hazardous situation, which, if not avoided could result in death or serious injury.



To reduce the risks of fire or explosion, electrical shock and the injury to persons, read and understand all instructions included in this manual. Be familiar with the controls and proper usage of the equipment.

HAZARD: EXPLOSION OR FIRE

Solvent and paint fumes can explode or ignite, causing property damage and/or severe injury.



PREVENTION:

- Exhaust and fresh air introduction must be provided to keep the air within the work area free from accumulation of flammable vapors.
- Avoid all ignition sources such as static electricity sparks, open flames, pilot lights, hot objects, cigarettes, and sparks from connecting and disconnecting power cords or working light switches.
- Fire extinguishing equipment must be present and in working order.
- Do not use materials with a flashpoint below 100° F (38° C). A fluid's flashpoint is the temperature at which vapors from the fluid could ignite if exposed to a flame or spark. Consult your paint supplier for information about a fluid's flashpoint.
- Keep the unit in a well ventilated location away from the work area. The pump contains arcing parts which emit sparks.



HAZARD: HAZARDOUS VAPORS
Paints, solvents, insecticides, and other materials may be harmful if inhaled, causing severe nausea, fainting, or poisoning.



PREVENTION:

- Use a respirator or mask whenever there is a chance that vapors may be inhaled. Read all instructions with the mask to insure that it will provide the necessary protection against the inhalation of harmful vapors.

HAZARD: GENERAL

May cause property damage or severe injury.

PREVENTION:

- Read all instructions and safety precautions before operating any equipment. Never leave the unit running while unattended. Unplug whenever not in use.
- Never immerse the unit into any liquid.
- Comply with all appropriate local, state and national codes governing ventilation, fire prevention, and operation.
- This paint roller system is designed to be used with authorized parts only. When using this system with parts that do not comply with the minimum specifications and safety devices of the system manufacturer, the user assumes all risks and liabilities.
- Before each use, check all hoses for cuts, leaks, abrasion or bulging of cover or damage or movement of couplings. If any of these conditions exist, call Customer Service.

Additional warnings are contained on the tag molded to the electrical cord of the unit. Be sure to read this tag before operating the unit.

Grounding Instructions

This product must be grounded. In the event of an electrical short circuit, grounding reduces the risk of electric shock by providing an escape wire for the electric current. This product is equipped with a cord having a grounding wire with an appropriate grounding plug. The plug must be plugged into an outlet that is properly installed and grounded in accordance with all local codes and ordinances.

WARNING - Improper installation of the grounding plug can result in a risk of electric shock.

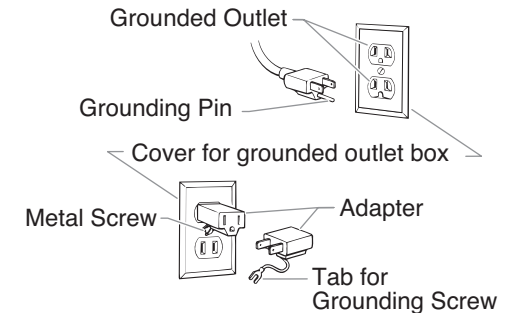


If repair or replacement of the cord or plug is necessary, do not connect the green grounding wire to either flat blade terminal. The wire with insulation having a green outer surface with or without yellow stripes is the grounding wire and must be connected to the grounding pin.

Check with a qualified electrician or serviceman if the grounding instructions are not completely understood, or if you are in doubt as to whether the product is properly grounded. Do not modify the plug provided. If the plug will not fit the outlet, have the proper outlet installed by a qualified electrician.

This product is for use on a nominal 120 volt circuit and has a grounding plug that looks like the plug illustrated below. A temporary adapter which looks like the adapter illustrated in the figure below may be used to connect this plug to a 2 pole receptacle as shown if a properly grounded outlet is not available.

The temporary adapter should be used only until a properly grounded outlet as shown below can be installed by a qualified electrician. The green colored rigid ear lug or the grounding wire extending from the adapter must be connected to a permanent ground such as a properly grounded outlet box cover. Whenever the adapter is used, it must be held in place by a metal screw.



Extension Cord Selection

If an extension cord is used, make sure that it is of the 3-conductor type with NEMA connectors so a continuous grounding circuit is provided from the tool to the power circuit receptacle. Make sure your extension cord is in good condition. Also, be sure that the conductor size is large enough to prevent excessive voltage drop which will cause loss of power and possible motor damage to the unit. A 14 or 12 gauge cord is recommended.

If an extension cord is to be used outdoors, it must be marked with the suffix W-A following the cord type designation. For example, SJTW-A to indicate that it is acceptable for outdoor use.

Parts and Components

Note: Some parts are not assembled out of the box. See "Setup" section, page 4.

Start General Description:

This high performance power roller is a precision power tool used for both interior and exterior painting and may be used with both water (latex) and oil based paints.

IMPORTANT: Use of oil-based paints must be limited to only those paints which can be cleaned with mineral spirits. Latex paints can be cleaned with soapy, lukewarm water. **DO NOT** use hot water when cleaning or flushing the unit.

Note: Some of the parts listed on this page can be replaced by calling technical service. See page 32 for part numbers.

Specifications:

Flow rate: 8 - 20 fluid oz. per minute (flow rate will depend on thickness of paint)

Power source: 120 VAC

Power requirement: 60 Hz current.

Capability: Most oil and water based paints and stains. Do not use with lacquers, lacquer thinners or any other solvent with a flash point below 100° F (38°C).

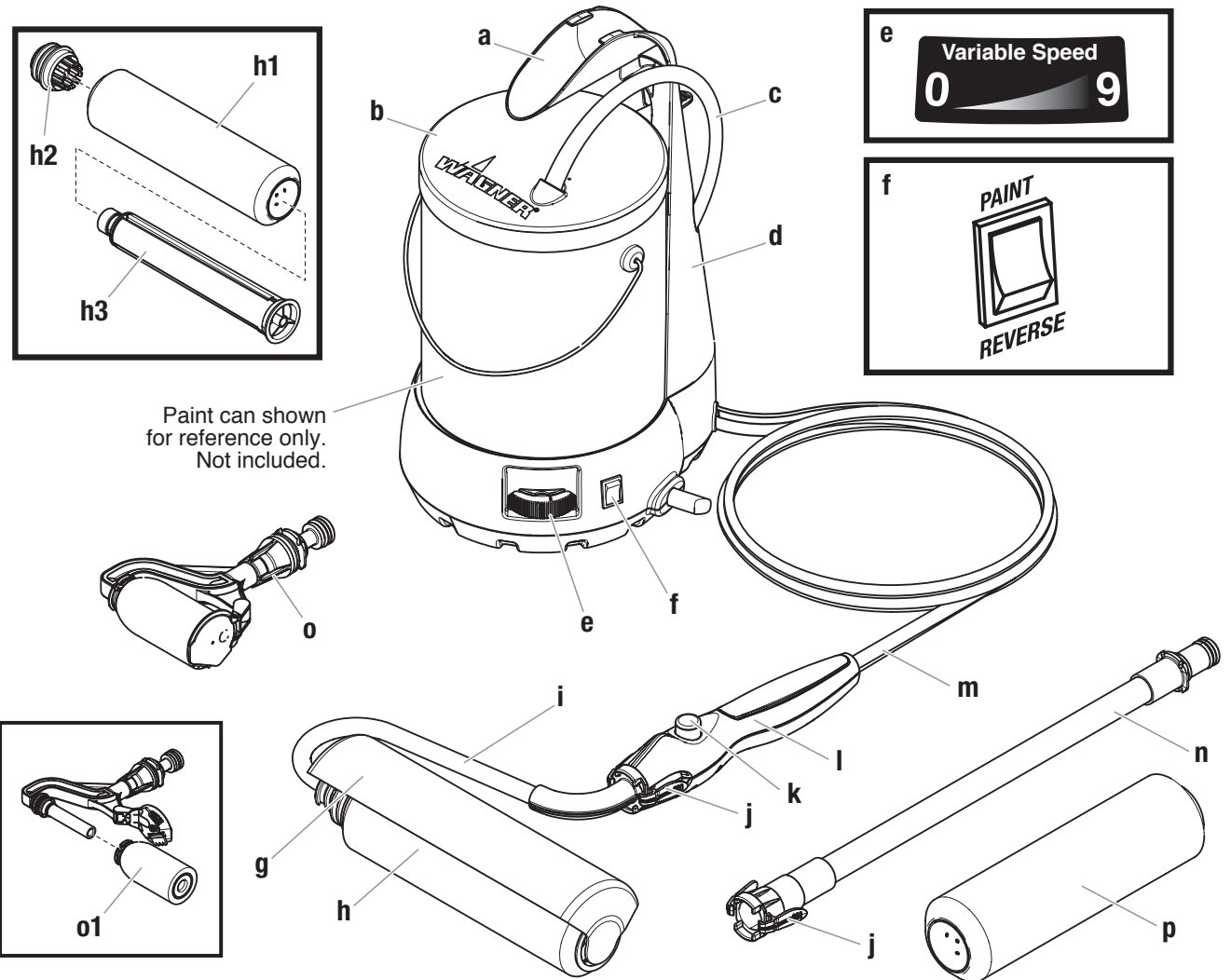
Questions?

Call Wagner Technical Service at:

1-800-760-3844

Register your product online at:

www.wagnerspraytech.com



Paint can shown for reference only. Not included.

Item	Description
a	Roller rest area
b	Can lid
c	Suction tube
d	Tower
e	Variable speed dial
f	Paint flow reverse switch
g	Spatter shield

Item	Description
h	9" Roller assembly
h1	3/8" nap roller cover
h2	Roller cap
h3	Roller core
i	Roller arm
j	Quick-release tabs
k	Handle button

Item	Description
l	Roller handle
m	Hose
n	Extension
o	Smart Edge™ Roller
o1	Roller cover
p	3/4" nap roller cover

Setup

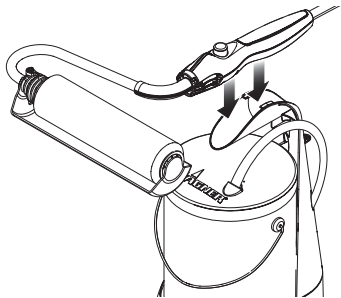
Start Material Preparation:

Make sure the material you plan on using is thoroughly stirred and free from debris. Strain if necessary. Any impurities in the material can cause clogs in the pump system or roller assembly.

Note: If you plan to use material that is contained in anything but a round, one gallon container, you will not be able to attach the container to the unit. Refer to the Accessories section, page 32, to order parts that are compatible with other types of paint containers.

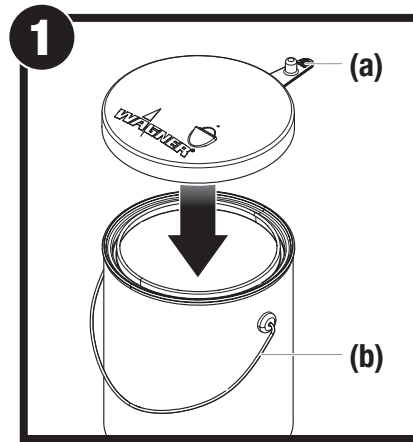
Roller handle rest area:

Use the carrying handle as a rest area for the roller handle and arm when they are not in use.

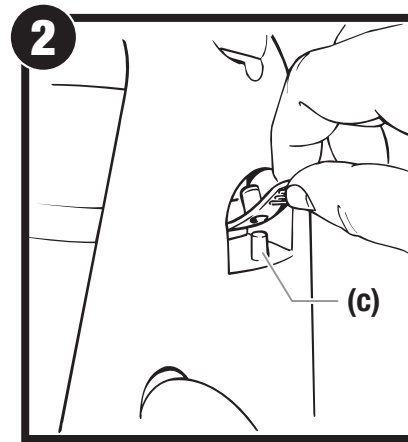


Note: The roller handle should not be placed into the handle rest area when it is attached to the extension! The spatter shield can be used as a rest for the roller arm when the extension is being used.

Note: During break periods, make sure that the roller is not saturated with paint, or it will drip and accumulate in the spatter shield.



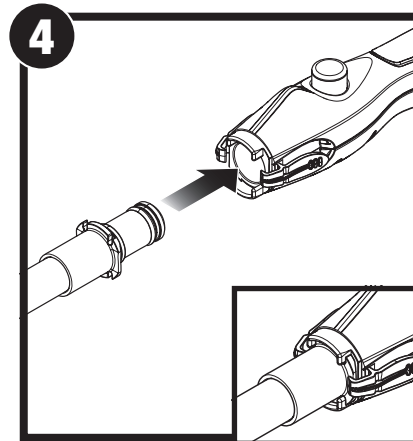
1. Tightly place the paint can lid on the paint can.
Align arrow (a) and paint can handle (b) as shown.



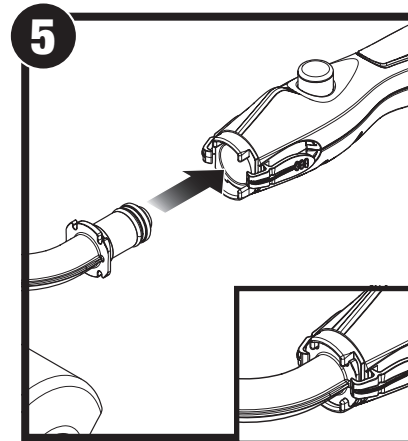
2. Place paint can on the base and insert the lid tab onto the opening on the tower.
Press the tab over the tower post (c).



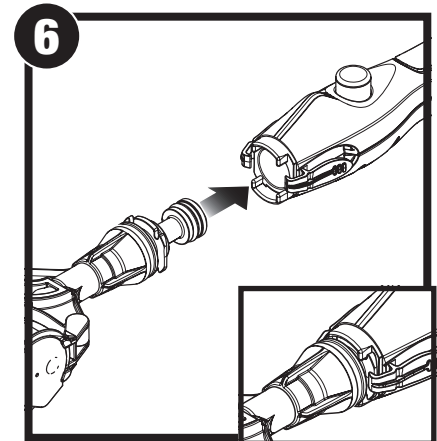
3. Insert the suction tube until it reaches the bottom of the paint can.



4. **If using the extension**, press the quick-release tabs on the handle and insert the extension into the handle.
Make sure they are securely fastened.



5. Press the quick-release tabs on the handle and attach the roller arm assembly to the handle (or extension).
Make sure they are securely fastened.



6. **If using the Smart Edge Roller assembly**, press the quick-release tabs on the handle and attach the Smart Edge Roller to the handle (or extension).

Practice / Usage

Start **IMPORTANT:**

Make sure your floors and furnishings are covered with drop cloths during usage.

Handle Button:

When the handle button is pressed and released, the pump motor will switch on and material will begin flowing into the paint hose. To shut the motor off and stop the flow of material, press and release the handle button again.

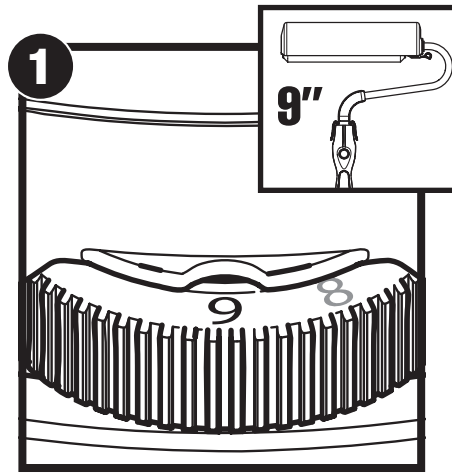
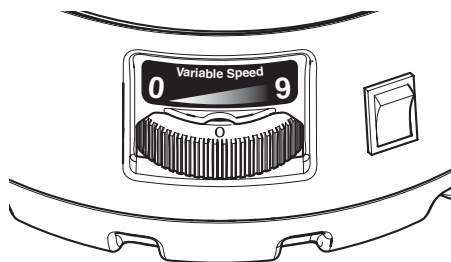
Note: Make sure to fully press and release the handle button. If the handle button is only partially pressed, the motor will start, but will shut down again after the button is released.

IMPORTANT: Do not submerge handle into any liquids, and avoid getting any spillage around the handle button.

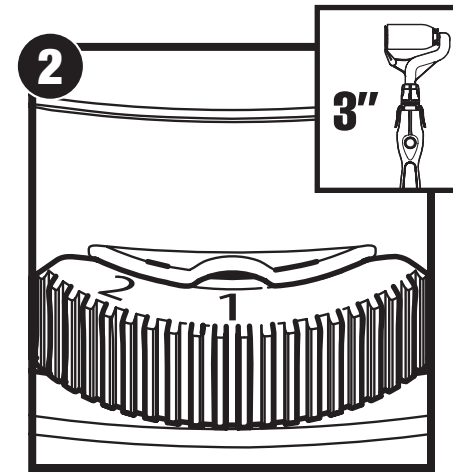
Variable Speed Dial:

The settings on the variable speed dial determine the flow rate of paint (1-9). The higher the setting, the higher the flow rate.

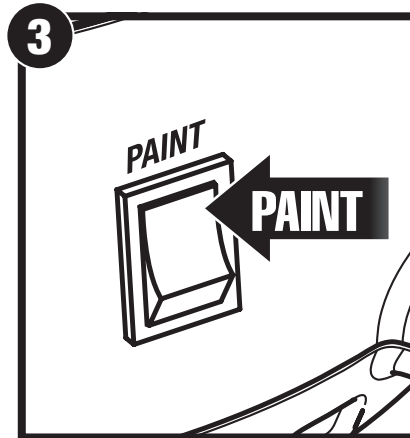
A setting of zero (0) means the unit is switched OFF.



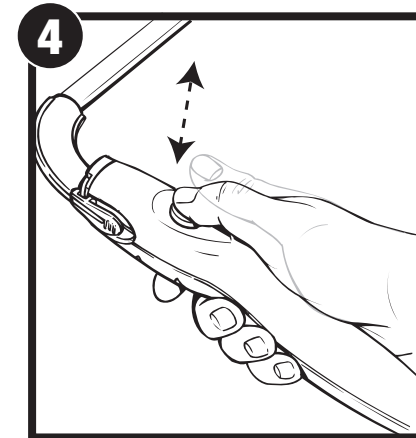
1. If using the 9" roller, set the variable speed dial to 9.



2. If using the Smart Edge Roller, set the variable speed dial to a lower setting (1-2).



3. Make sure the paint flow direction switch is set to "PAINT" position.



4. To start the motor, fully press and release the handle button. When paint starts to show through the roller, press and release the handle button to shut off the motor.

Tips:

- Practice rolling on a scrap piece of wood or cardboard.
- Press the handle button to start and stop the pump as needed.
- Adjust the variable speed dial as needed to maintain the desired material flow.

See Helpful Painting Tips, next page, for more detailed preparation and rolling instructions.

Helpful Painting Tips

9" Roller Selection

Your Smart Power Roller comes equipped with two 9" roller covers.

- **3/8" roller cover** (comes assembled to the roller arm) - use this roller on smooth surfaces.
- **3/4" roller cover** (packaged loose in the box) - this thicker roller is designed for use on textured surfaces, such as ceilings or textured walls.

Spatter Shield

The spatter shield is an ideal attachment whenever painting an overhead surface, as it will catch any drips that may fall from the roller. It is optional when painting a wall or other vertical surface.

Prepping the Room

Remove all pictures, mirrors, and decorations from the walls and draperies from the windows. Remove all nails, hardware and switch and receptacle covers. Cover furniture and floor with drop cloths.

Surface Preparation

- Always remove wallpaper before painting. Wash off old adhesive and rinse with water. Allow the walls to dry before painting.
- Wash and rinse dirt, grease and oil build-up off the walls with soap and water.
- Fill all nail holes, joints and cracks with patching paste. Let dry and sand the surface until smooth. Clean sanded area with a damp cloth.
- Spot prime all patched areas and any marker and/or pen marks before applying first coat.

Tip: Write the important information from your paint can - color, formula, brand and paint type - on the back of a switch plate for future reference.

Painting the Room

Tip: If you need more than one gallon of paint to do the room's walls, mix them together to ensure color uniformity.

- Always make sure to open a window or door to ensure proper ventilation. If you are painting both the ceiling and walls in your room, start with the ceiling first and then move to the walls.

Ceilings:

- To minimize spills and spatters, use the spatter guard and paint across the short width of the ceiling.

Walls:

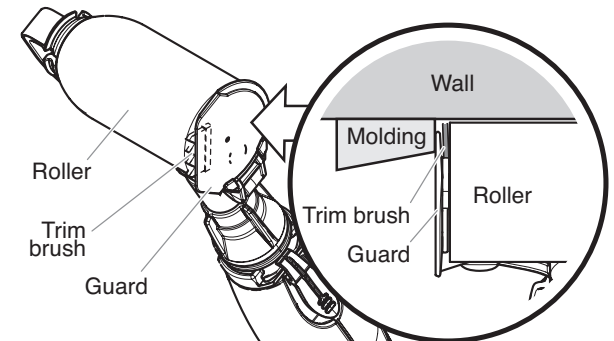
- Use the Smart Edge Roller for any edges that need to be painted around, or tape off around base and window and door trim.
- Paint one wall at a time.
- Pick an area to start where you can saturate the roller cover and evenly distribute the paint. Working in three-foot sections, begin by cutting-in around windows, doors, cabinets, base and other breaks in the wall surface with the Smart Edge Roller.
- Press and release the handle button until paint appears through the roller cover.
- Start painting at one end of a wall and roll out the letter "W". Fill it in with crosswise strokes, working your way across the wall in 3' x 3' sections. Finish the sections by painting one solid swipe from ceiling to floor. This will give you a nice even paint finish.
- Press and release the handle button as needed for more paint. Be careful not to over-saturate the roller cover as it may drip, slide on the wall or spatter.
- Make sure to run the roller cover over the areas you cut-in around the trim and baseboards to even out the texture.
- If you need to stop and take a break; finish painting the entire wall, or stop at a break in the wall such as a doorway or corner to prevent lap marks.

Using the Smart Edge Roller

The Smart Edge Roller is designed for trim-rolling corners and edges. The roller guard will protect any edge from unintentional paint, while the trim brush will paint the gap that is typically left unpainted by conventional rollers. When the Smart Edge Roller is used properly, there is no need for taping, or to go back and finish any edge work with a brush.

- The trim brush can be swiveled into different positions, depending upon the position of the edge being rolled against.

- Always make sure the trim brush is facing toward and running parallel to the surface being painted.
- Maintain a consistent rolling angle to ensure the trim brush maintains contact with the surface. Contact will be maintained as long as the edge of the guard stays flat to the surface.



- For particularly tight corners (i.e. where two walls meet), you may need to go back and fill any gaps with a brush.
- Periodically inspect the outer face of the roller guard for any paint residue. Make sure the outer face of the roller guard stays clean.
- In order for the trim brush to fully cover the gap, you will need to move the roller in a gentle up-and-down "brushing" motion, much like you would do with a regular paint brush.
- The guard can be flipped out of the way when not rolling up against an edge.

Changing accessories

IMPORTANT: When removing or changing any accessories from the handle, it is likely that some paint will drip from the handle and the accessory.

- Turn the variable speed dial to 0 (OFF) prior to removing any accessories or components, and make sure your floors and furnishings are protected from dripping paint.
- To minimize dripping paint from the handle and accessories, follow the steps below.
 1. Press the quick-release tabs on the handle (or the extension).
 2. Pull the handle and the accessory apart, making sure to keep the connecting ends pointed up.

Cleanup - Purging the Paint Hose

Start **Note:**

When you are finished with your project, follow these steps to return any remaining material left in the hose back into its container.

IMPORTANT: Make sure your floors and furnishings are covered with drop cloths during cleanup.

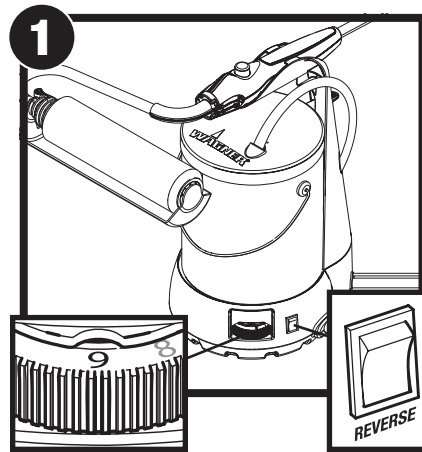
Before you begin cleaning:

When cleaning the Smart Power Roller, make sure to use the appropriate cleaning solution for the type of material used:

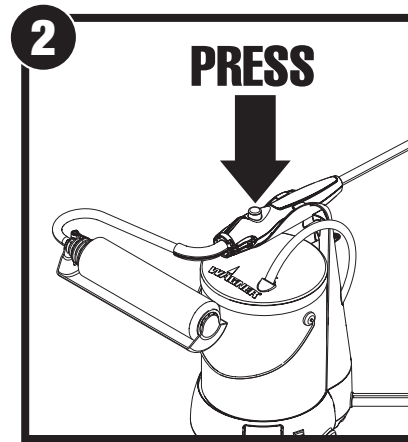
- If you used latex-based materials, use warm, soapy water to clean the Smart Power Roller.
- If you used oil-based materials, use mineral spirits.

You will need:

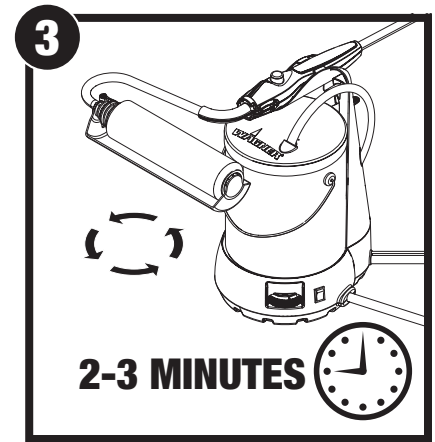
- A large bucket with the appropriate cleaning solution.



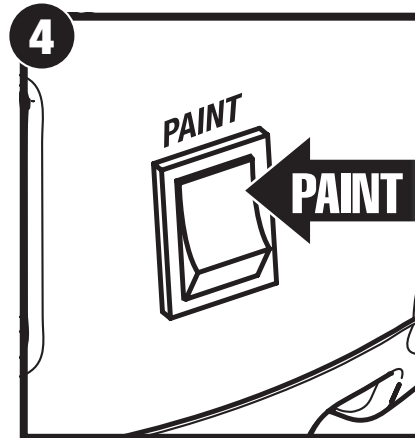
1. Place roller arm into rest area. Turn the variable speed dial to 9. Switch paint flow directional switch to "REVERSE".



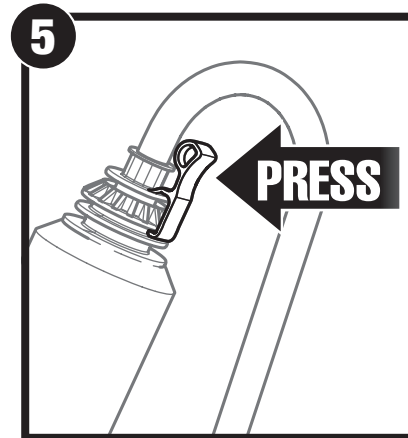
2. Fully press and release the handle button to switch the motor on.



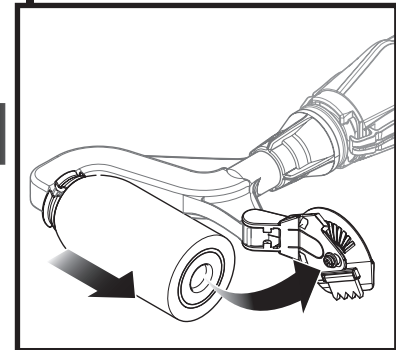
3. Let the motor run for 2-3 minutes to pull paint from the hoses back into the paint can. When finished, fully press and release the handle button to switch the motor off.



4. Flip the paint flow directional switch back to "PAINT".



5. Remove spatter shield. Press locking tab and drop roller cover assembly into a bucket of the appropriate cleaning solution.



Note: If using the Smart Edge Roller assembly, open the guard and pull the roller cover off by hand. Drop the roller cover into a bucket of the appropriate cleaning solution.

IMPORTANT: Do not attempt to remove the core and cap of the Smart Edge Roller cover.

Cleanup - Cleaning the Unit and Components

Start You will need:

- A waste container
- A minimum of one gallon of warm, soapy water if you used latex paints
- A minimum of one quart of mineral spirits if you used oil-based paints

Note: Cleaning time and the amount of cleaning solution you use may vary depending upon the type of material used.

IMPORTANT: Make sure your floors and furnishings are covered with drop cloths during cleanup.

IMPORTANT: DO NOT SUBMERGE THE ROLLER HANDLE INTO ANY LIQUIDS!

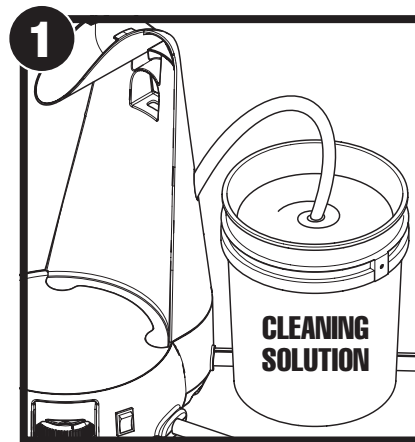
Note: A light paint film residue may remain in the paint hose after cleaning. This is normal and will not affect the future performance of your unit.

Note: Switch the unit OFF (0) prior to removing any accessories or components.

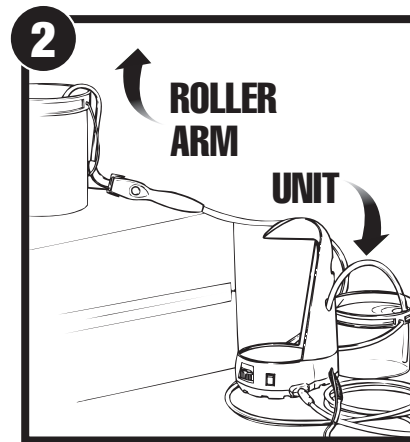
Note: A Roller Cleanup Kit™ is available for separate purchase. See Accessories, page 32 for ordering information.

9" Roller Only:

- * Insert thumb to first knuckle, pry and pull the cap from the roller cover. Once the cap is removed, push the core out the other end.

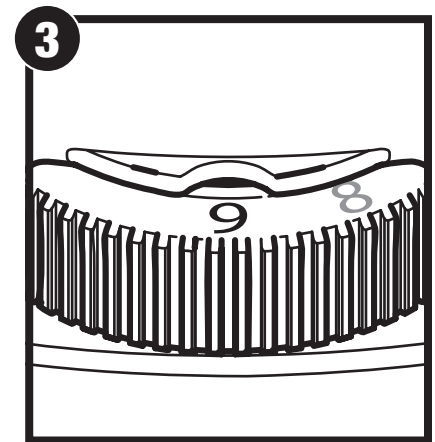


1. Submerge suction tube into a bucket of the appropriate cleaning solution.

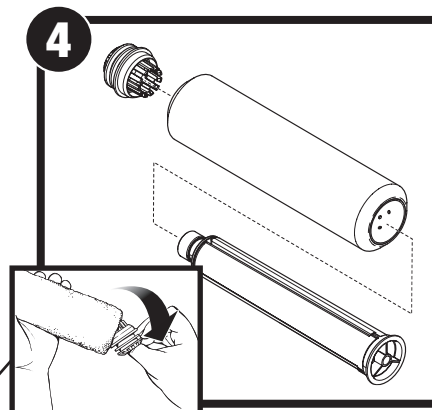


2. Elevate roller arm and hang from an empty bucket.

Note: The unit must be lower than the arm in order for air to be completely purged from the paint hose.

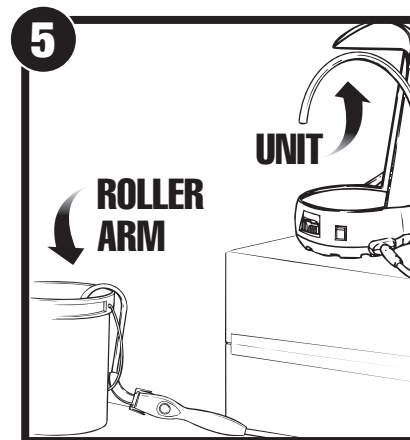


3. Turn variable speed dial to 9. Fully press and release the handle button to run the appropriate cleaning solution through the hoses and roller arm.



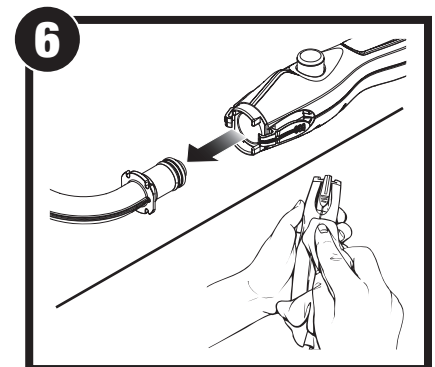
4. While unit is self-cleaning, disassemble the roller assembly*, and thoroughly clean the roller cover, core, and cap by hand.

If using the Smart Edge Roller, clean the roller cover by hand. A spray bottle with the appropriate cleaning solution can assist in cleaning the harder-to-reach areas.



5. Remove suction tube from solution, raise unit above roller arm, and run motor until all cleaning solution is purged from the unit.

Turn variable speed dial to 0 (OFF). Unplug power cord.



6. Press quick-release tabs and remove the roller arm from the roller handle. Remove any remaining paint with the appropriate cleaning solution and a damp cloth.

IMPORTANT: If you used mineral spirits to clean your unit, you must repeat all the steps on this page using warm, soapy water.

Storage / Maintenance

Start You will need:

- Petroleum jelly
- An old toothbrush or other similar cleaning brush

Cleaning and Storage Tips:

- Thoroughly cleaning your unit and its components is the best way to ensure the prolonged life of your unit.
- Keep water, paint, and other residues away from the handle button. A clogged handle button will affect the performance of your unit.
- Be sure that your unit is free from all fluids before storage. After storing your unit in extreme cold temperatures, allow unit to reach room temperature before using.
- When storing your unit, be sure the paint hose is stored in a large loop without any kinks. If it is bent, it could be damaged.

IMPORTANT: Store the unit indoors with the power cord wrapped safely around the tower.



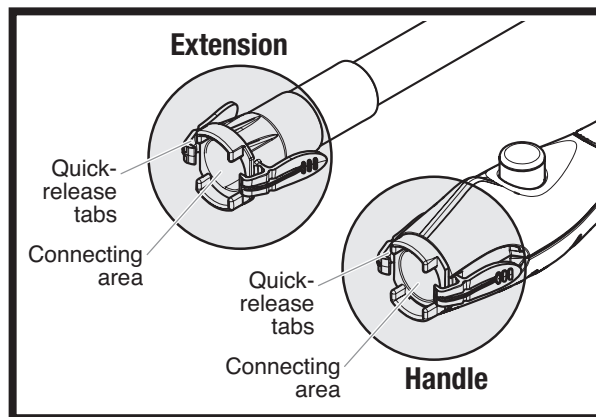
This unit contains no serviceable electrical parts. Do not attempt to service the unit yourself.

Maintenance

The areas on the roller handle and the extension indicated below must be cleaned thoroughly and lubricated after each use.

ALL paint should be removed from the areas highlighted in gray below, especially the quick-release tabs and all other areas that connect with other parts. This can be done by using the appropriate cleaning solution and an old toothbrush.

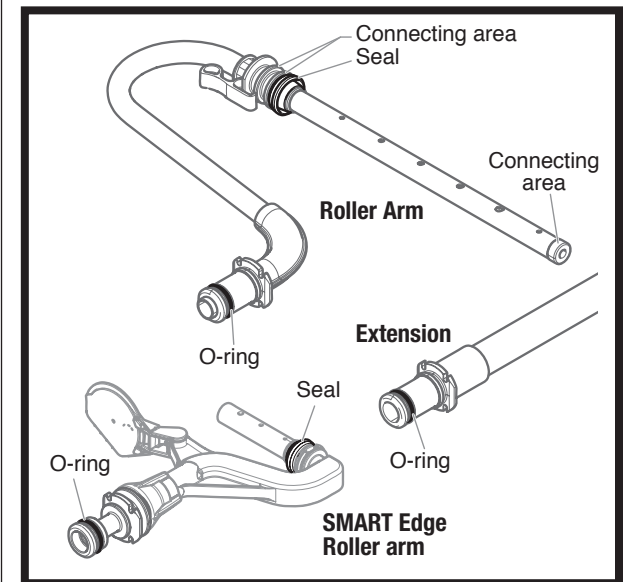
Note: Make sure to clean all paint residue that may remain from the Smart Edge Roller trim brush and guard. Make sure to rotate the trim brush and clean any paint residue that may have accumulated under it.



IMPORTANT: Do not submerge roller handle.

In addition to thoroughly cleaning your unit after every use, you must clean and lubricate the areas on the roller arm, extension, and the Smart Edge Roller arm indicated below. Use a thin layer of petroleum jelly to lubricate the indicated areas.

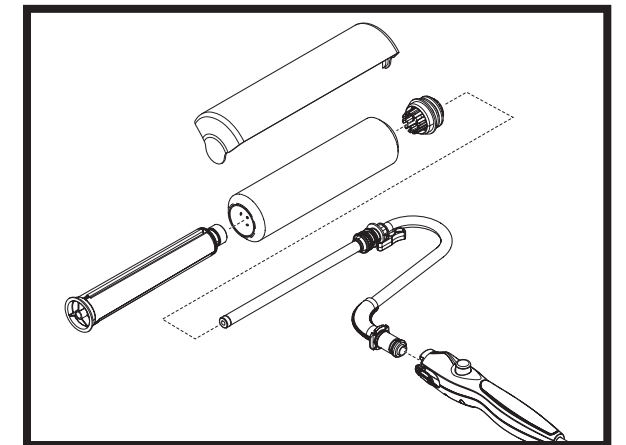
Proper lubrication will prolong O-ring and seal life, and keep your unit functioning smoothly.



Reassembly

When all of the components have been thoroughly cleaned and lubricated, you can now reassemble the roller assembly and roller arm for storage.

1. Reassemble the cap and core into the roller cover.
2. Reattach the roller assembly (cap, core and cover) to the roller arm.
3. Attach the spatter shield to the roller arm.
4. Press the quick-release tabs on the roller handle and attach the the roller assembly to the roller handle.



Troubleshooting



This unit contains no serviceable electrical parts. Do not attempt to service the unit yourself.

Problem A: The pump will not run.

Cause		Solution
1.	The power cord is unplugged, or no power in outlet.	Plug the power cord into 120V outlet
2.	The variable speed dial is turned to 0 (OFF) and handle button has not been pressed.	Turn variable speed dial to higher setting (1-9) and press handle button.
3.	There is a kink in the air hose.	Unkink the air hose. If unit still fails to run, call Customer Service.
4.	Fluids have entered the handle assembly.	Call Customer Service.

Problem B: Paint fails to load the roller.

Cause		Solution
1.	The suction tube is not immersed in the paint.	Fully immerse the tube into the paint.
2.	There is an obstruction in the suction tube.	Remove the obstruction.
3.	The paint can is empty.	Fill the paint can.

Problem C: The motor does not turn off.

Cause		Solution
1.	The handle button is activated.	Press and release handle button.
2.	There is a kink in the air hose.	Unkink the air hose.
3.	There is an air switch malfunction.	Unplug unit, then call Customer Service.

Problem D: There is paint leakage.

Cause		Solution
1.	The seal on the roller arm is backwards.	Turn the seal around.
2.	The seal and cap were not properly cleaned.	Clean and properly lubricate.
3.	The O-ring and the connecting area were not cleaned properly.	Clean and properly lubricate (pg 8-9).
4.	Paint residue on connecting areas.	Clean connecting areas.
5.	The O-rings are damaged or missing.	Replace the O-rings*
6.	The roller cover is worn or damaged.	Replace the roller cover*.
7.	The roller core or cap is worn or damaged.	Replace the roller core or cap*.
8.	The bearing areas on the roller arm are worn.	Call Customer Service
9.	The pump tube is punctured.	Call Customer Service
10.	The paint hose is damaged.	Call Customer Service

* Replacement parts available by calling customer service

Thank you for your purchase!

Questions?

Call Wagner Technical Service at:

1-800-760-3844

Monday - Friday

8:00 am to 4:30 pm CST

Product Registration

In order to register your product today, visit:

www.wagnerspraytech.com/registration

We value your opinion. To complete your review, please visit:

www.wagnerspraytech.com/reviews

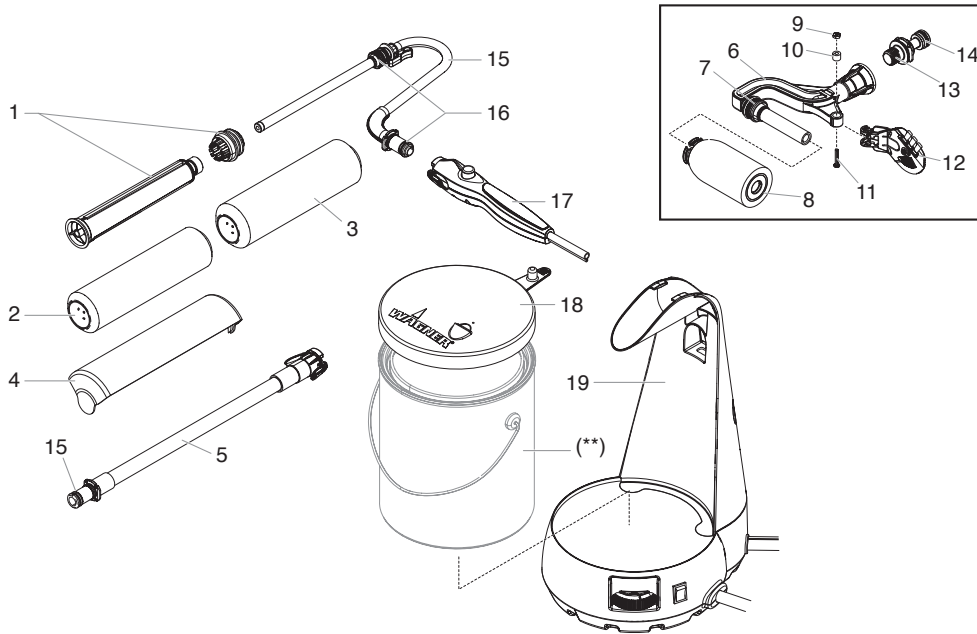
Wagner one year limited warranty - Keep on file

This product, manufactured by Wagner Spray Tech Corporation (Wagner) is warranted against defects in material and workmanship for one year following date of purchase if operated in accordance with Wagner's printed recommendations and instructions. This warranty does not cover damage resulting from improper use, accidents, user's negligence or normal wear. This warranty does not cover any defects or damages caused by service or repair performed by anyone other than a Wagner Authorized Service Center.

ANY IMPLIED WARRANTY OF MERCHANTABILITY OR FITNESS FOR A PARTICULAR PURPOSE IS LIMITED TO ONE YEAR FOLLOWING DATE OF PURCHASE. THIS PRODUCT IS DESIGNED FOR HOME USAGE ONLY. IF USED FOR COMMERCIAL OR RENTAL PURPOSES, THIS WARRANTY APPLIES ONLY FOR 30 DAYS FROM DATE OF PURCHASE. WAGNER SHALL NOT IN ANY EVENT BE LIABLE FOR ANY INCIDENTAL OR CONSEQUENTIAL DAMAGES OF ANY KIND, WHETHER FOR BREACH OF THIS WARRANTY OR ANY OTHER REASON. THIS WARRANTY DOES NOT APPLY TO ACCESSORIES.

If any product is defective in material and/or workmanship during the applicable warranty period, return it with proof of purchase, transportation prepaid, to any Wagner Authorized Service Center. Call the Wagner Technical Service at 1-800-760-3844 Monday through Friday between 8:00 AM and 4:30 PM Central time.

Parts List • Liste de pièces • Lista de piezas



Optional Accessories • Accessoires Optionnel • Accesorios Opcional			
Part No. N° de pièce Pieza No.	English Description	Français Description	Español Descripción
0155206	3/8" nap roller cover (9")	Manchon de rouleau à grain de 3/8 po (22 cm)	Cubierta del rodillo con lanilla de 3/8" (9")
0155208	3/4" nap roller cover (9")	Manchon de rouleau à grain de 3/4 po (22 cm)	Cubierta del rodillo con lanilla de 3/4" (9")
0284112B	Roller Cleanup Kit™	Roller Cleanup Kit™	Roller Cleanup Kit™
0530226	5 gallon paint adapter	Adaptateur pour contenant à peinture de 5 gallons (19 l)	Adaptador para pintura de 5 gallons
0284419	Non-standard container lid	Couvercle de contenant spécial	Tapa de recipiente no estándar
0514026	Trim pad	Rouleau pour garnitures	Almohadilla para bordes
0514028	Corner pad	Rouleau pour coins	Almohadilla para esquinas
0530200	Smart Edge Roller Cover	Manchon de rouleau de Smart Edge Roller	Cubierta del rodillo de Smart Edge Roller
0530212A	Handle assembly	Ensemble de la poignée	Conjunto de la manilla

Item Art.	Part No. N° de pièce Pieza No.	English Description	Français Description	Español Descripción	Qty. Qte. Cant.
1	0514118	Roller core and cap	Corps du rouleau et capuchon	Centro y tapa del rodillo	1
2	0155206	3/8" nap roller cover	Manchon de rouleau à grain de 3/8 po	Cubierta del rodillo con lanilla de 3/8"	1
3	0155208	3/4" nap roller cover	Manchon de rouleau à grain de 3/4 po	Cubierta del rodillo con lanilla de 3/4"	1
4	0514230	Spatter guard	Garde-éclaboussures	Protección contra salpicaduras	1
5	0514249	Extension	Rallonge	Extensión	1
6	0530224A	Smart Edge Roller arm assembly (includes items 7-12)	Ensemble de bras de Smart Edge Roller (inclut les articles 7 à 12)	Conjunto del brazo del Smart Edge Roller (incluye los artículos 7-12)	1
7	0530911	Smart Edge Roller seal and O-ring (includes items 7 and 14)	Joint d'étanchéité et joint torique de Smart Edge Roller (inclut les articles 7 et 14)	Sello y junta tórica de Smart Edge Roller (incluye los artículos 7 y 14)	1
8	0530200A	Smart Edge Roller cover	Manchon de rouleau de Smart Edge Roller	Cubierta del rodillo de Smart Edge Roller	1
9	-----	Nut	Écrou	Tuerca	1
10	-----	Spacer	Espaceur	Separador	1

Item Art.	Part No. N° de pièce Pieza No.	English Description	Français Description	Español Descripción	Qty. Qte. Cant.
11	-----	Screw	Vis	Tornillo	1
12	0530224A	Guard assembly (includes items 9-11)	Ensemble du protecteur (inclut les articles 9 à 11)	Conjunto de protección (incluye los artículos 9-11)	1
13	0530217A	Smart Edge Roller adapter (includes item 14)	Adaptateur de Smart Edge Roller (inclut le article 14)	Adaptador de Smart Edge Roller (incluye el artículo 14)	1
14	-----	O-ring	Joints torique	Junta tórica	1
15	0530216A	Roller arm assembly (includes item 16)	Ensemble de bras de rouleau (inclut l'article 16)	Conjunto del brazo del rodillo (incluye el artículo 16)	1
16	0514112	Seal and O-rings	Joint d'étanchéité et joints toriques	Sello y juntas tóricas	1
17	0530212A	Handle assembly (does not include hoses)	Ensemble de la poignée (ne comprend pas les tuyaux)	Conjunto de la manilla (no incluye mangueras)	1
18	0514229	Can cover	Couvercle de contenant	Tapa de recipiente	1
19	-----	Tower	Colonne	Torre	1
(**)	-----	For reference only	À titre de référence seulement	Sólo para referencia	1